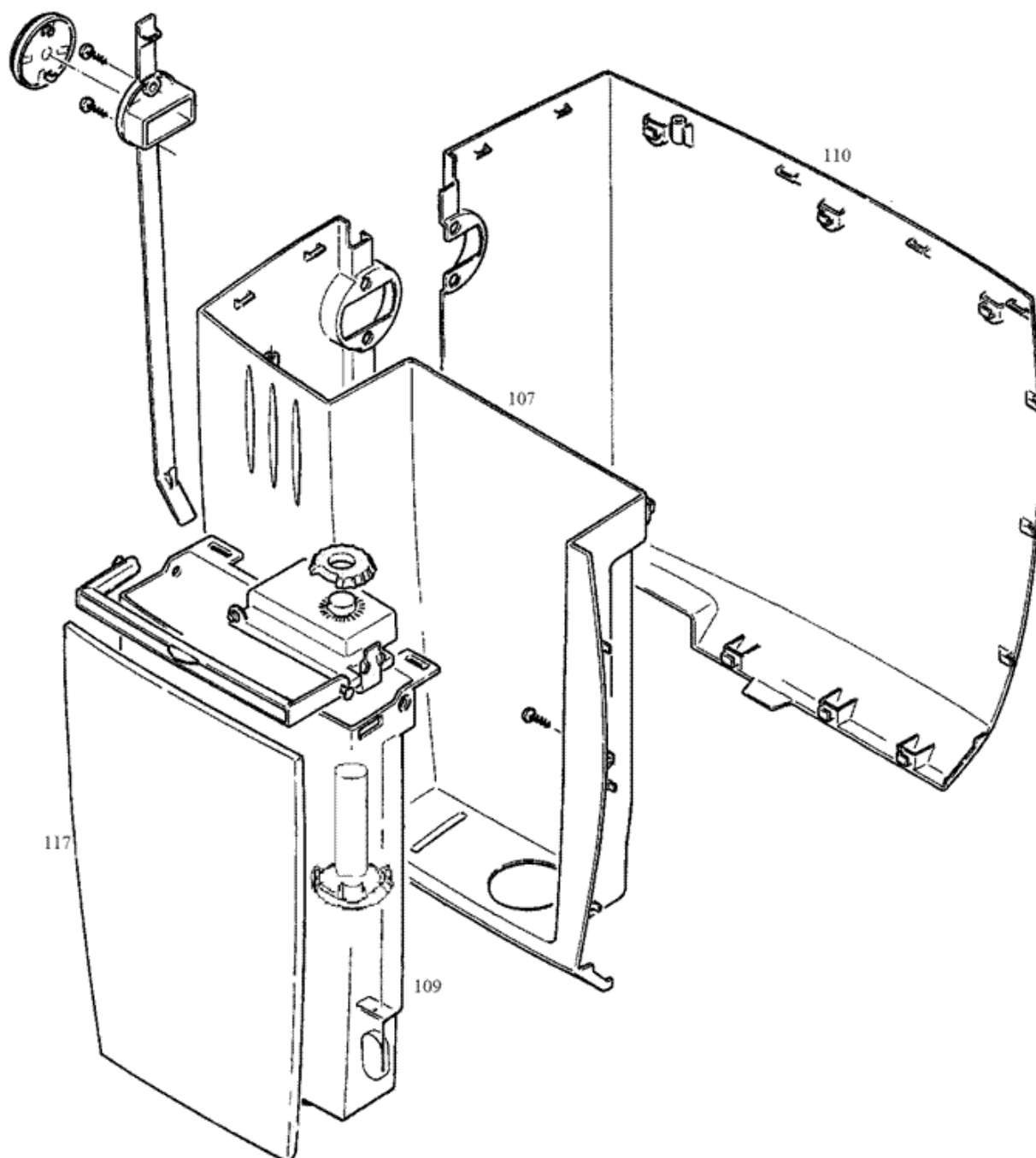


The recycling passport is valid for the following articles:
13450 Impresa J9 chromium CH 230V/50Hz
13451 Impresa J9 chromium EU 230V/50Hz

The Variant designations mean:

(1) Case components and water tank

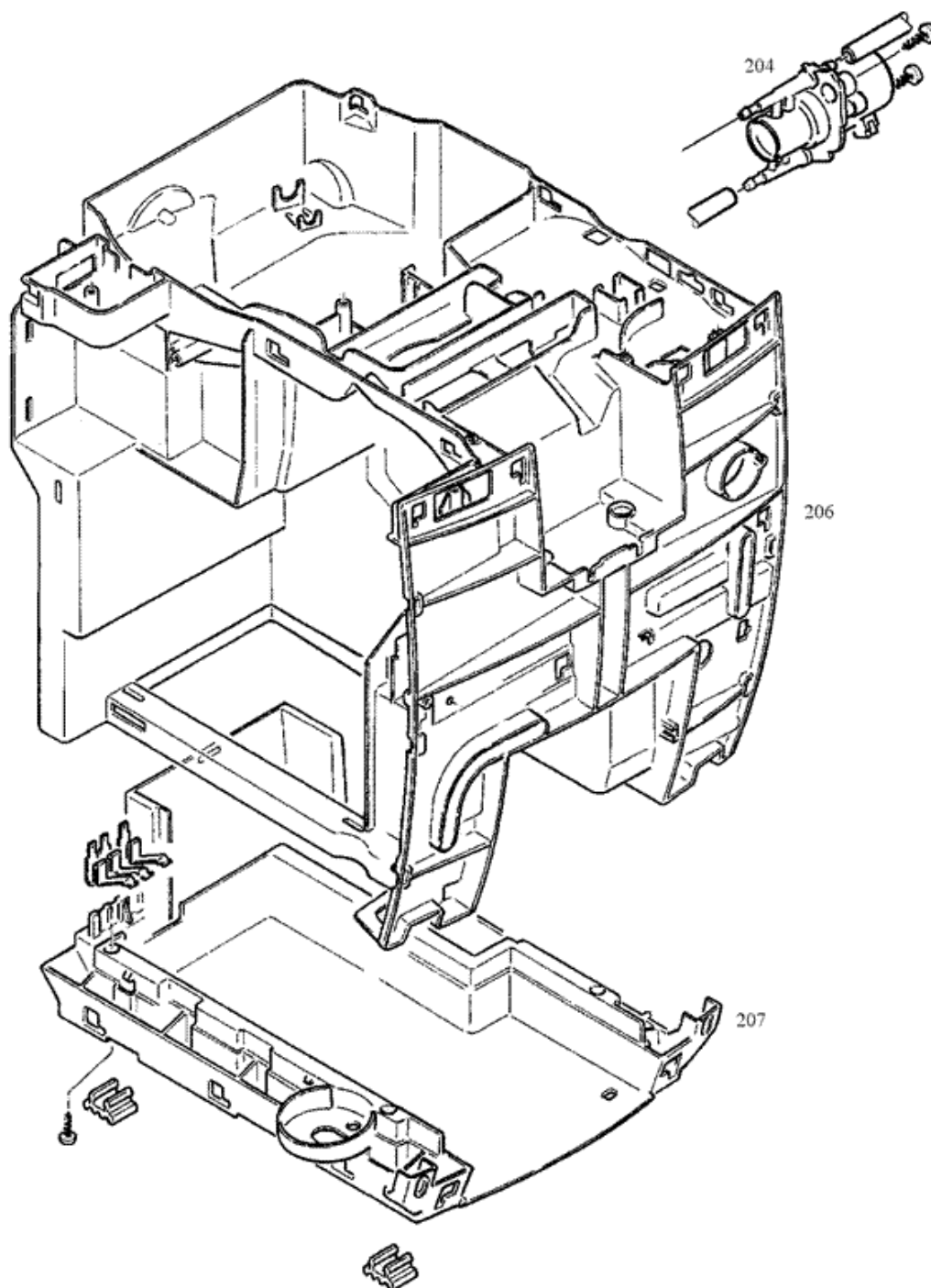
S13450_01



Pos	Designation	Material	Disassembly	Disposal	Variation	Return
0107	Left side section platinum	ABS				
0109	Watertank assembled BLUE	Plastic				
0110	Right side section platinum	ABS				
0117	Right side section platinum	ABS				

(2) Case components

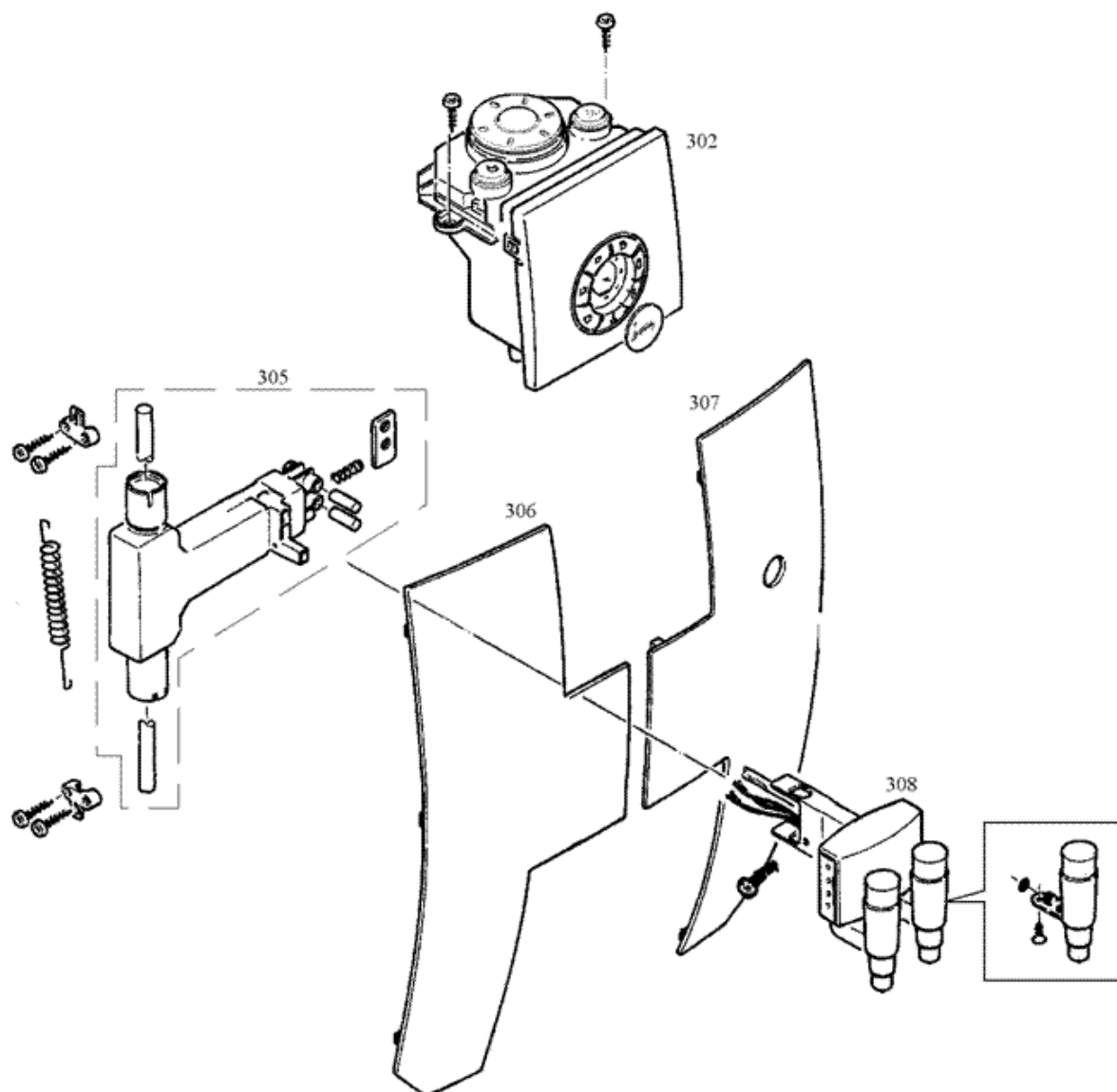
S13450_02



Pos	Designation	Material	Disassembly	Disposal	Variation	Return
0204	Squeezing-valve cpl	PBT / PA / High-grade steel / Silicone				
0206	Components support J7/J9 above	ABS				
0207	Components support bottom	ABS				

(3) Front cover

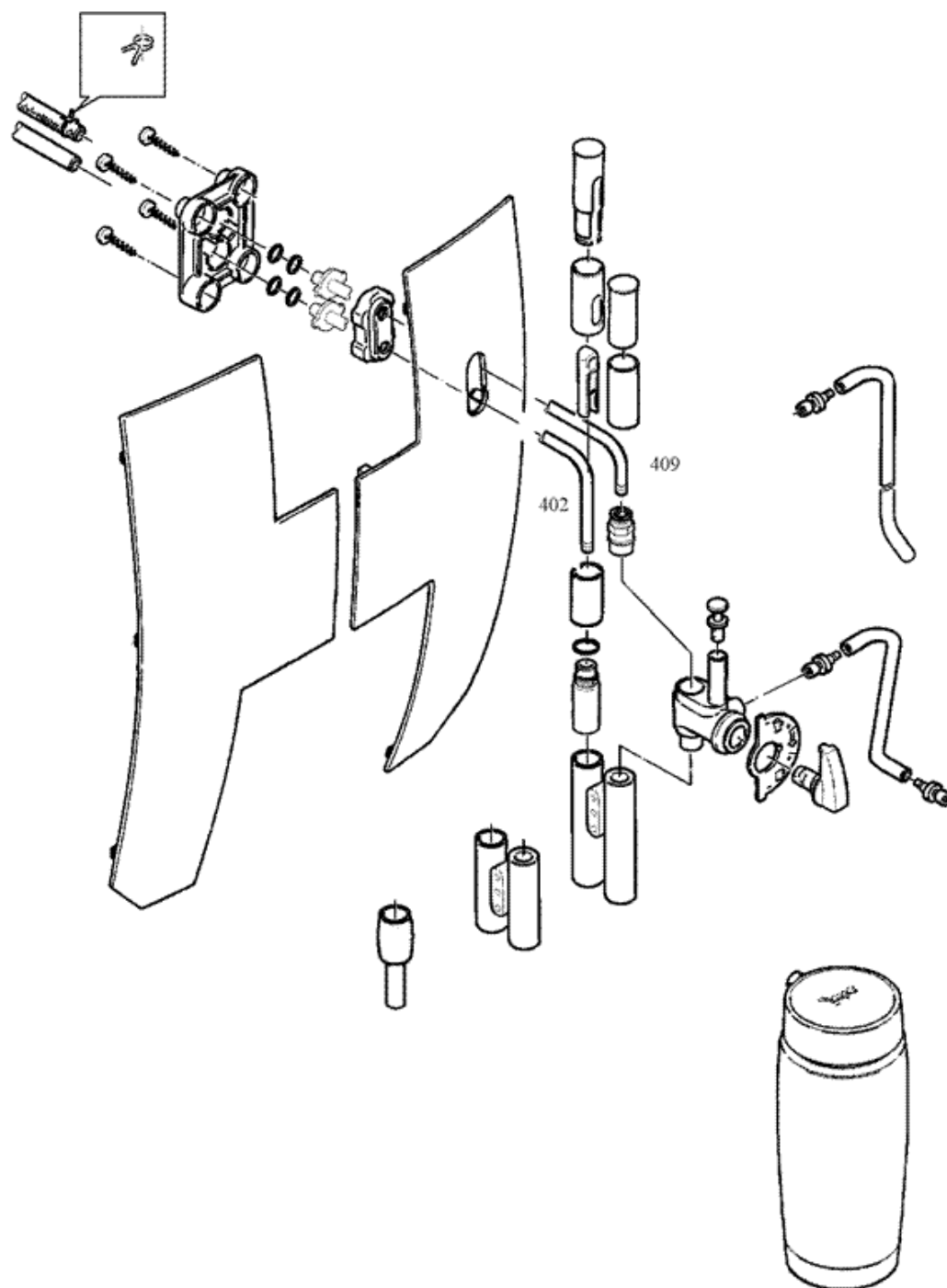
S13450_03



Pos	Designation	Material	Disassembly	Disposal	Variation	Return
0302	Displaymodul J9	Electronic				
0305	Outlet gate V3	PA / High-grade steel				
0306	Left side section chromium	ABS				
0307	Right side section chromium	ABS				
0308	Outlet	ABS / POM / PA / PBT / NBR / Steel / Silicone				

(4) Cappu

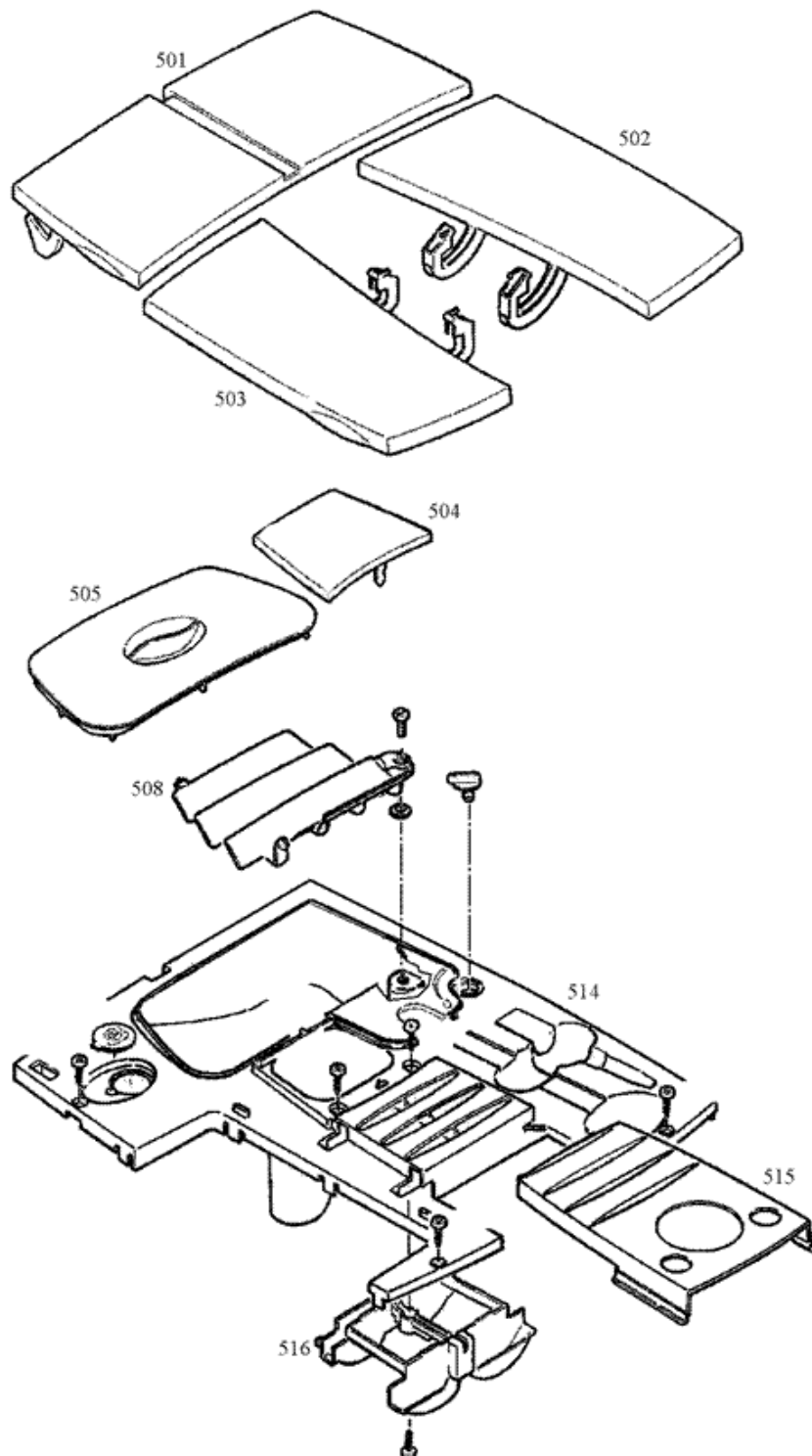
S13450_04



Pos	Designation	Material	Disassembly	Disposal	Variation	Return
0402	Outlet coffee inox	High-grade steel / Messing				
0409	Discharge pipe inox	High-grade steel / Messing				

(5) Case cover

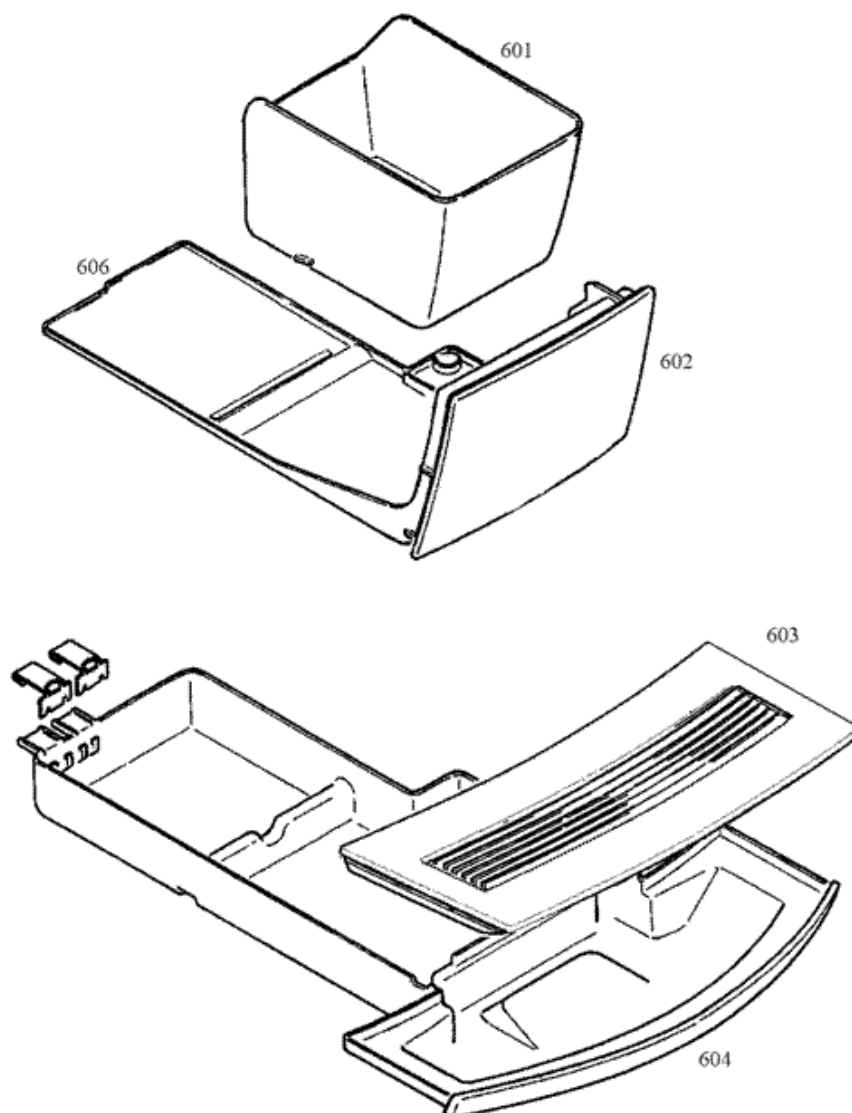
S13450_05



Pos	Designation	Material	Disassembly	Disposal	Variation	Return
0501	Bean container lid platinum	ABS / High-grade steel				
0502	Cover platinum	ABS				
0503	Tank lid platinum	ABS				
0504	Powder funnel lid	ABS				
0505	Lid to preserve aroma	SAN				
0508	Finger guard	ABS				
0514	Housing lid	ABS / PP / SAN				
0515	Display cover	ABS				
0516	Cover	ABS				

(6) Pan

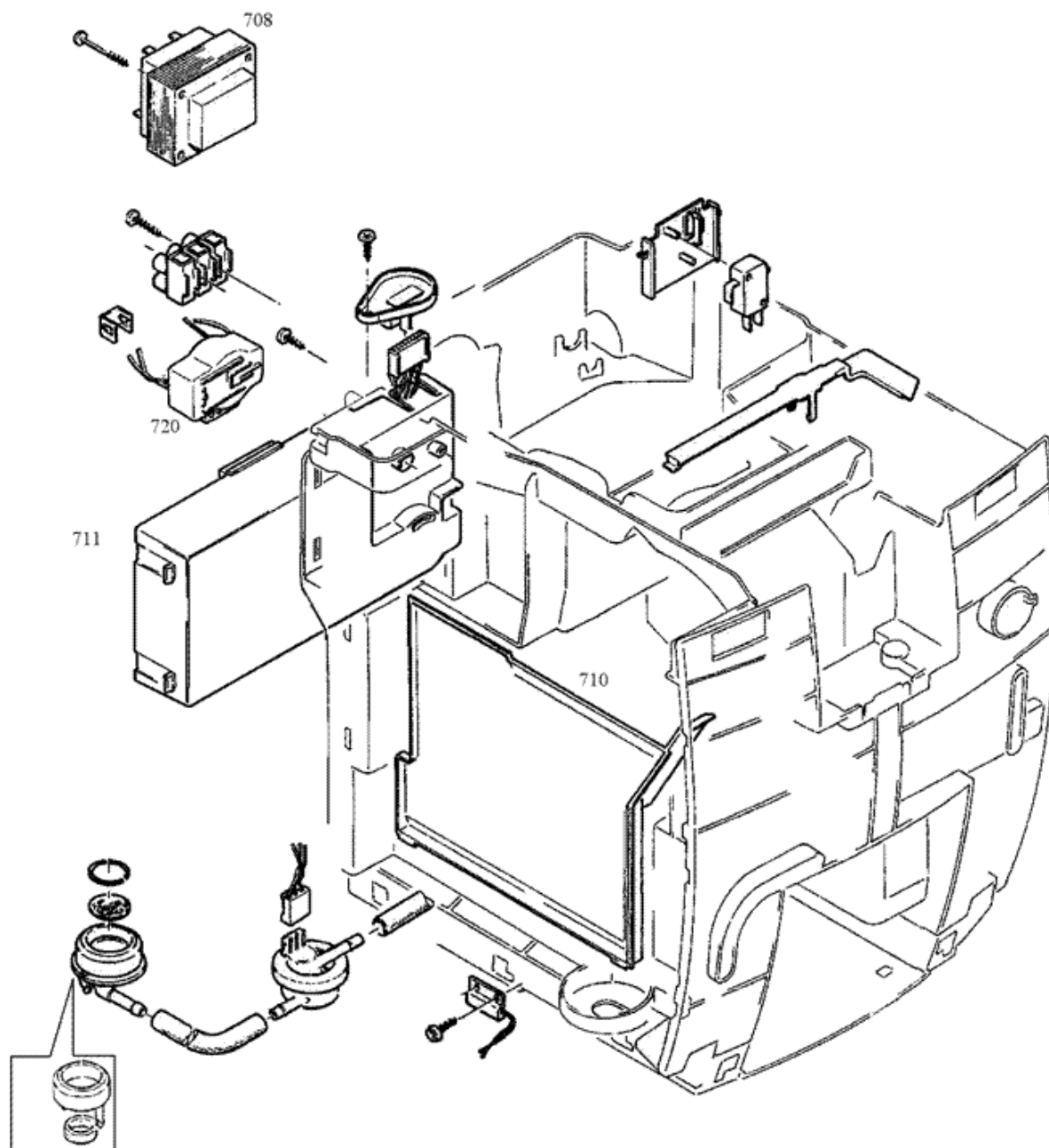
S13450_06



Pos	Designation	Material	Disassembly	Disposal	Variation	Return
0601	Used ground container black	PP				
0602	Used ground pan shield	ABS				
0603	cup platform	ABS / AL				
0604	Drain pan	ABS / Steel				
0606	Used ground pan black	ABS				

(7) Printed power circuit board

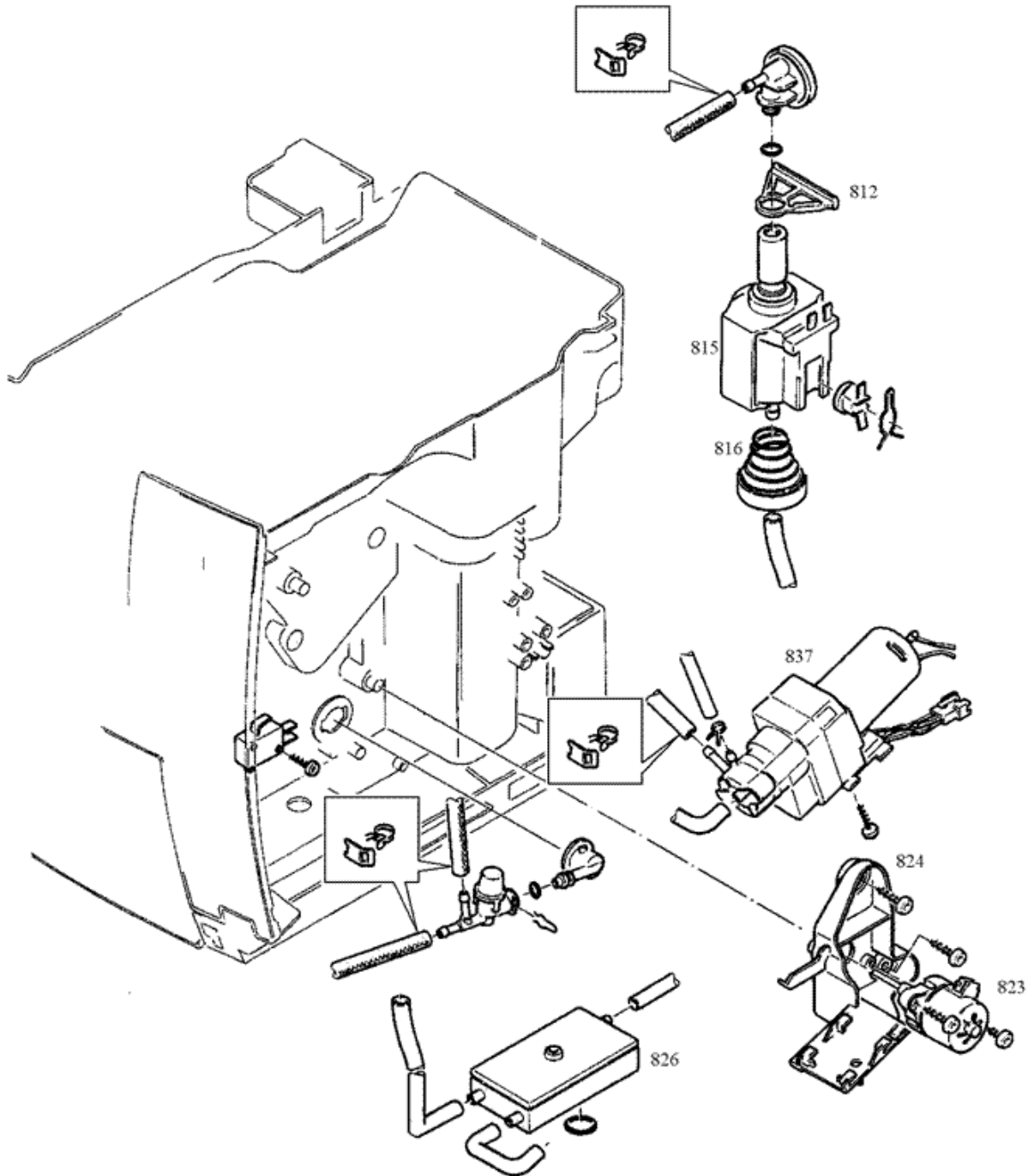
S13450_07



Pos	Designation	Material	Disassembly	Disposal	Variation	Return
0708	Transformer 230V	Electro				
0710	Protective wall black V2	ABS				
0711	Power pcb J9 230V	Electro				
0720	Interference eliminator	Electro				

(8) Fluid System

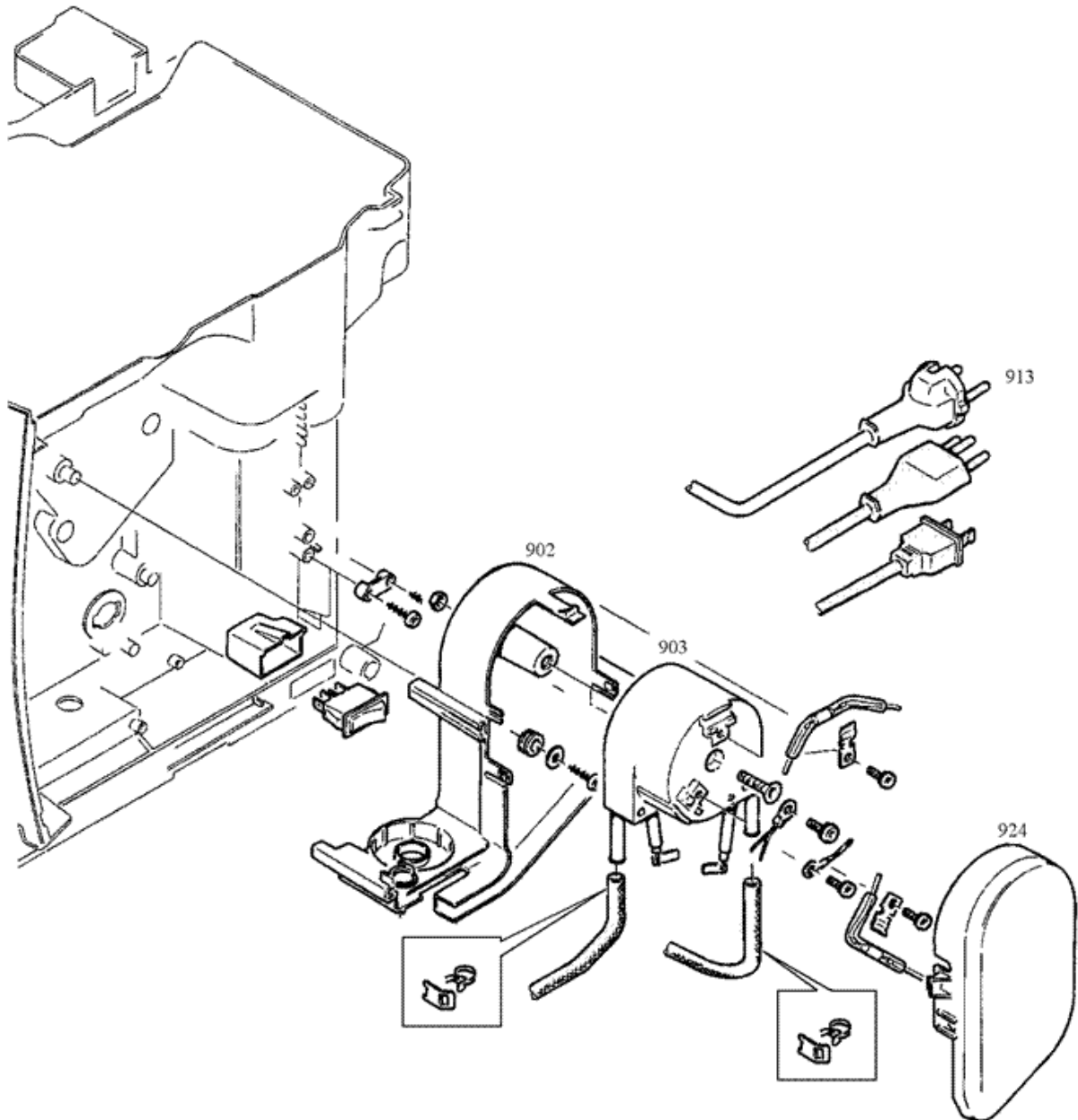
RP13450_08



Pos	Designation	Material	Disassembly	Disposal	Variation	Return
0812	Pump carrier black 70 Sh	NBR				
0815	Pump cp3a/st 230v 50hz 65w	Electro				
0816	Absorber set	NBR / High-grade steel				
0823	Drain motor	Electro				
0824	Support black	ABS				
0826	Thermostat anodizes	AL / High-grade steel				
0837	Soupape céramique	PBT / POM / PA / High-grade steel / Ceramic / Silicone				

(9) Heater

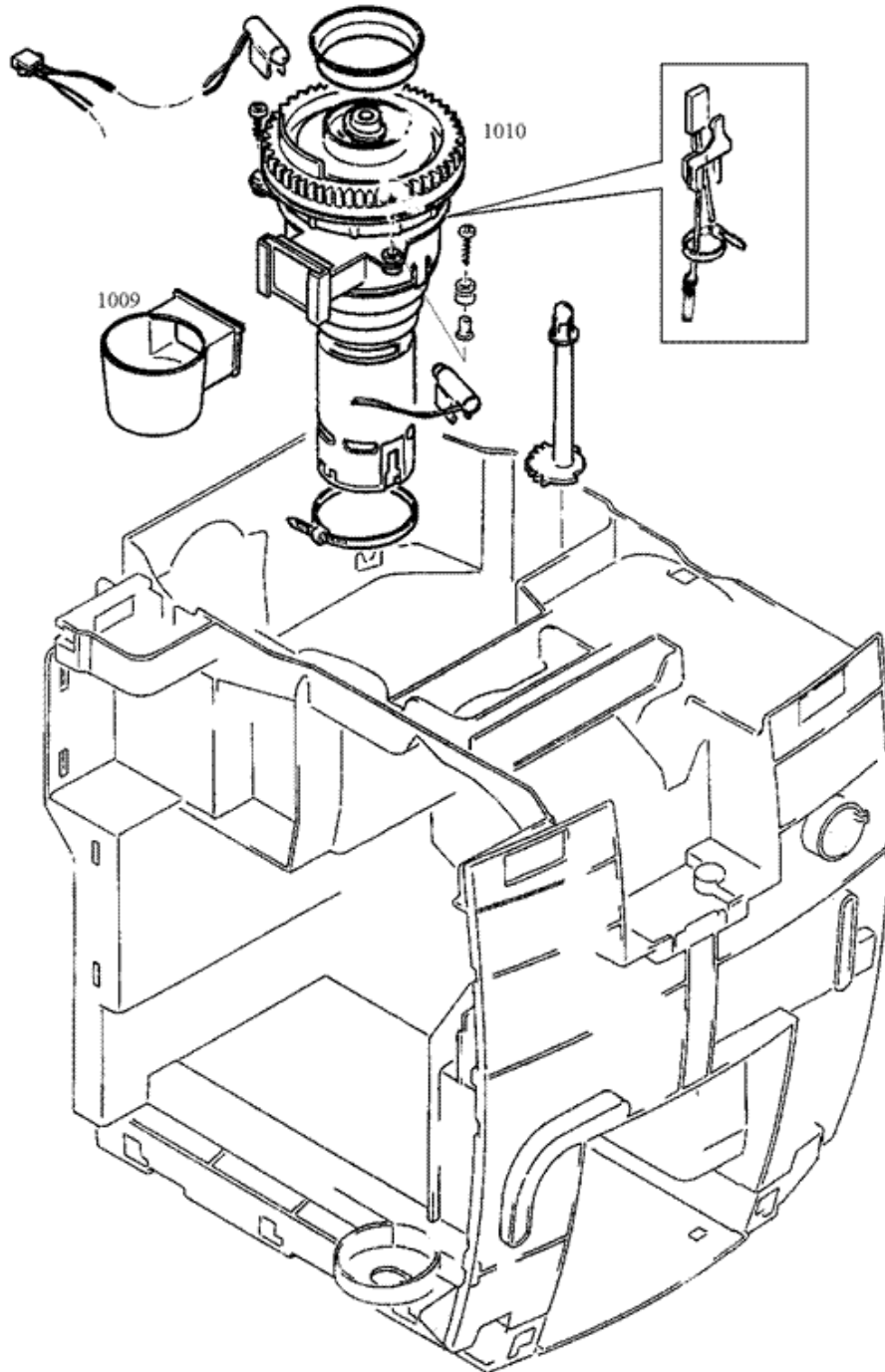
S13450_09



Pos	Designation	Material	Disassembly	Disposal	Variation	Return
0902	Heating support thermoblock	PA				
0903	Thermoblock 2003 230V/1400W	AL / Steel				
0913	Incoming feeder sw RoHS	Copper / Gum				
0924	Lid TB2003	PA				

(10) Grinder

S13450_10

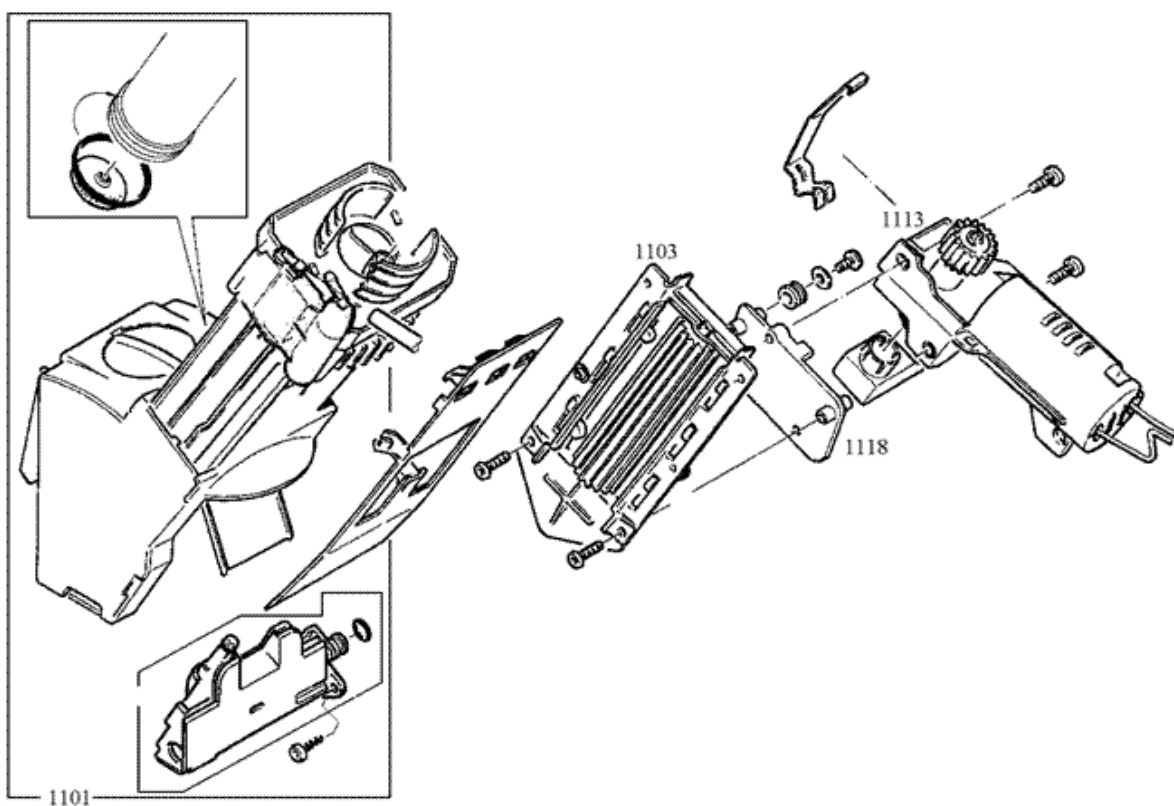


RP13450 Impresa J9 chromium CH 230V/50Hz 659
Edition: 09/12/09

Pos	Designation	Material	Disassembly	Disposal	Variation	Return
1009	Funnel black	ABS				
1010	Grinder unit 230V "choke"	Electro / POM / PA / ABS / NBR / Steel / Messing				

(11) Brew unit and drive

S13450_11



Pos	Designation	Material	Disassembly	Disposal	Variation	Return
1101	Brew unit assembled	ABS / POM / PA / NBR / Steel / Silicone				
1103	Guide assembled quiet	AL / POM				
1113	Geared motor	Electro / Messing / POM				
1118	Plate	AL				